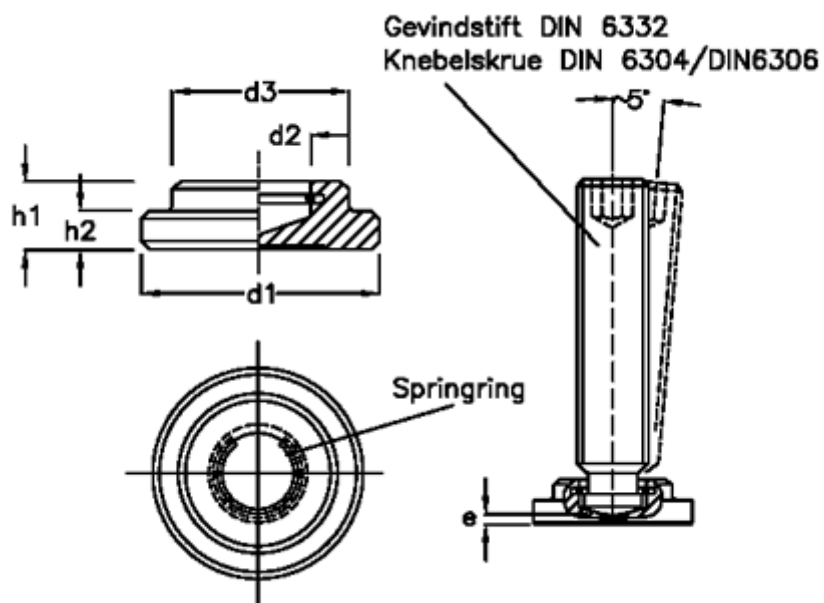


Article number: 20804035

Description: E+G Thrust pad
DIN 6311-40-S

Measures



d1 = 40
d2 = 15.6
d3 = 28
e = 5.6
h1 = 16
h2 = 9.0
T = M20